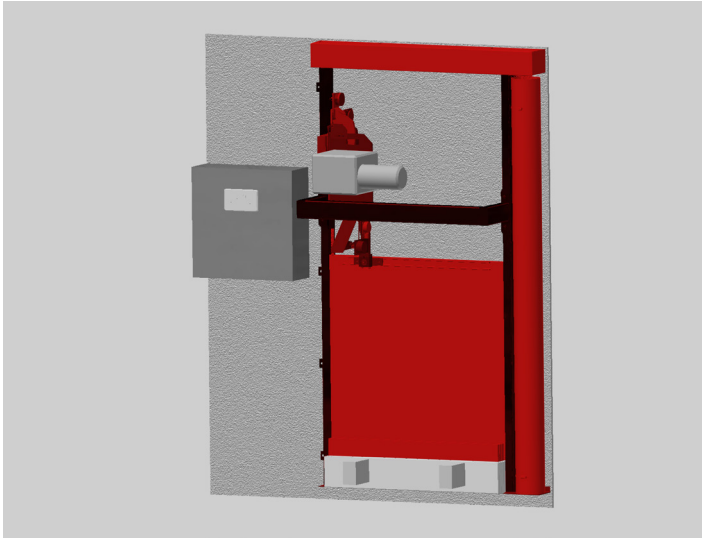


# SYSTEM: BR 110 D

## WITH FAST RUNNING FUNCTION



### Product description

Single-leaf, vertically or horizontally closing fire protection closure with fast-running function for wall openings of track-bound conveyor systems; suitable for separated and unseparated continuous conveyor technology in the closing area.

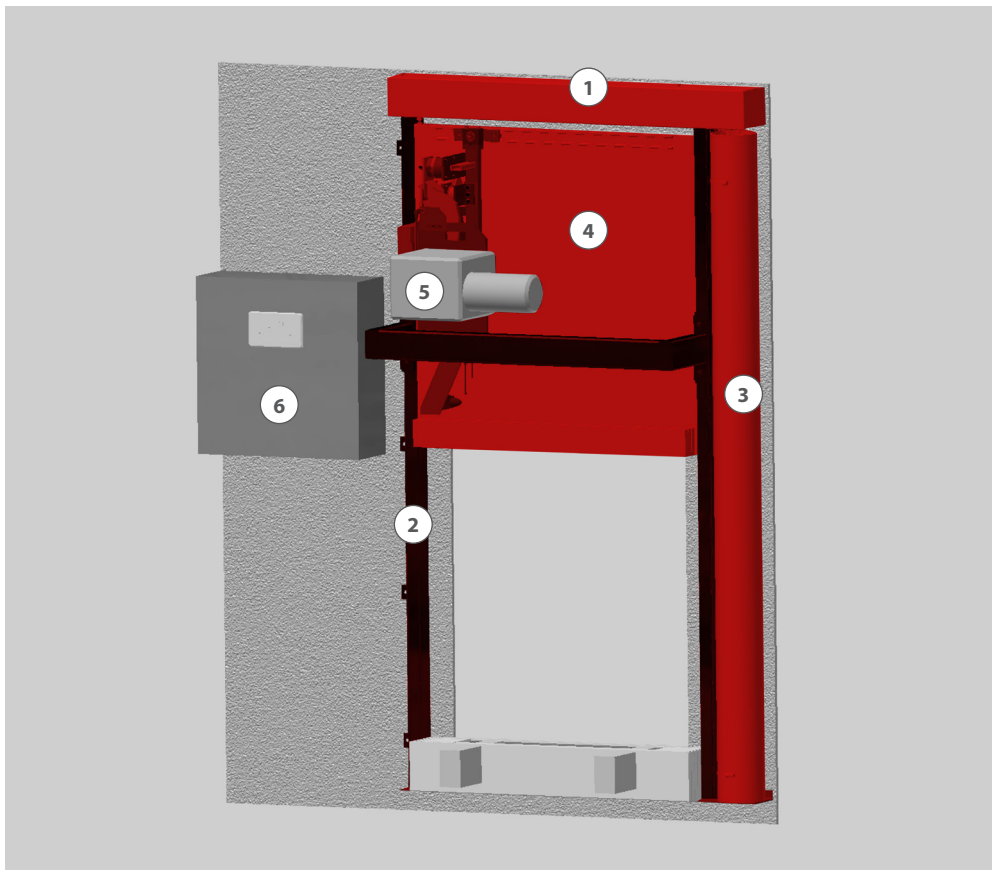
<b>Type</b>	Fire protection closure in the course of rail-bound conveyor systems
<b>Verification</b>	Z-6.6-2089 General building authority approval/general type approval
<b>Closing direction</b>	from top to bottom   from bottom to top   from left to right   from right to left
<b>Fire resistance</b>	T90   tested according to DIN 4102-5
<b>Closing cycles</b>	200.000 Closing cycles   tested according to DIN 4102-18
<b>Reopening</b>	motorised
<b>Conveyor systems</b>	Belt conveyor technology   Suspension chain conveyor technology   Roller conveyor technology
<b>Visible surface</b>	galvanised   RAL

## Dimensions and system design

Depending on the ratio of clear wall opening width to clear wall opening height, the specified maximum dimensions may be reduced.

achievable fire resistance class	Component (load-bearing structure) in which the closure may be installed	clear wall opening			
		clear wall opening width*		clear wall opening height*	
T 90	≥ 115 mm masonry walls with high density	from 500 mm	up to 1,200 mm	from 500 mm	up to 2,500 mm
	≥ 240 mm masonry walls with high density	from 500 mm	up to 2,500 mm	from 500 mm	up to 2,500 mm
	≥ 150 mm walls made of aerated concrete panels or masonry	from 500 mm	up to 1,200 mm	from 500 mm	up to 2,500 mm
	≥ 200 mm walls made of aerated concrete panels or masonry	from 500 mm	up to 2,500 mm	from 500 mm	up to 2,500 mm
	≥ 100 mm concrete walls	from 500 mm	up to 1,200 mm	from 500 mm	up to 2,500 mm
	≥ 140 mm concrete walls	from 500 mm	up to 2,500 mm	from 500 mm	up to 2,500 mm
	≥ 100 mm walls made of plasterboard fire protection panels min. fire resistance F 90	from 500 mm	up to 2,500 mm	from 500 mm	up to 2,500 mm
	Clad steel columns and/or beams min. fire resistance F 90 A	from 500 mm	up to 2,500 mm	from 500 mm	up to 2,500 mm

\* regardless of the wall opening, the smallest system dimension is the size for a wall opening of 1,000 mm x 1,000 mm



**Legend system components:**

- 1 = Housing
- 2 = Guide rails
- 3 = Counterweight
- 4 = Shut-off element
- 5 = Drive motor
- 6 = Control with operating unit