

## Stoebich Smoke Curtain P

The traditional automatic smoke curtain to match highest demands and large dimensions

### Product Description

Stoebich Smoke Curtain P stands out thanks to its flexibility when implementing made-to-measure solutions. The smoke curtains are made of one piece of material that is up to 1968.5" in width and an unrolled length of 374", and is designed for high time classes at temperature loads up to 1,112°F (D) and 2,020°F (ETK curve - DH). When using guide rails, 0% leaks can be realised across the entire smoke curtain. The curtain is closed without any external energy with a 'Gravigen' drive motor. Stoebich Smoke Curtain P is also suitable as a floor-closing and space-creating smoke curtain, and can be equipped with an opening to allow persons to pass. Also, the clever construction allows it to be combined with the passable smoke curtain.

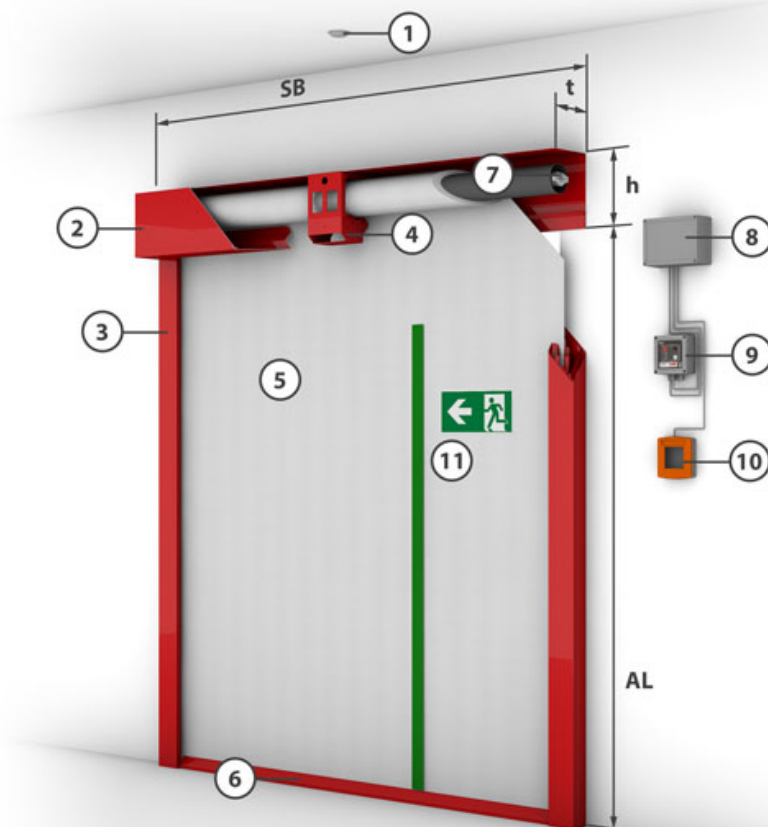
---

<b>construction type</b>	textile smoke curtain	<b>closing direction</b>	from top to bottom
<b>fabric</b>	Stoebich Fire & Smoke Fabric P 600.1 A2 • Fire & Smoke Fabric P	<b>classifications according to DIN EN 12101-1</b>	D 60 • Klassifizierung nach DIN EN 12101-1
<b>proof</b>	Z - 56. 429 - 916		

---

## Constructive structure (With guide rail)

fabric	system width (SB)	drop length (AL)	t (mm)	h (mm)
Protex 600.1 A2 / 1100.1 A2	≥ 0,8 m - ≤ 1,6	≤ 3,5 m	190	250
Protex 600.1 A2 / 1100.1 A2	> 1,6 m - ≤ 30 m	≤ 3,5 m	190	200
Protex 600.1 A2 / 1100.1 A2	≥ 1,2 m ≤ 30 m	> 3,5 m - ≤ 6 m	190	250
Protex 1100.1 A2	≥ 2,0 m ≤ 20 m	> 6 m - ≤ 9 m	235	290



1 = Smoke detector

2 = Casing

3 = side guides

4 = Fixing bracket

5 = Fabric

6 = Closing element

7 = Tubular motor

8 = Control module

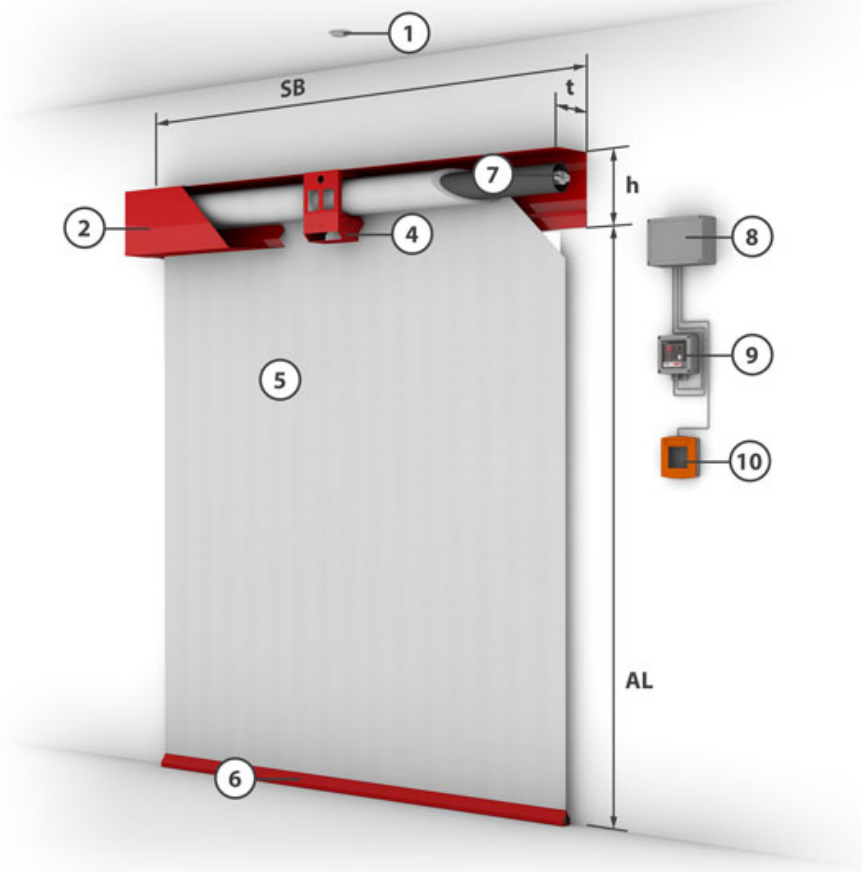
9 = Control with operating unit

10 = Manual release

11 = Wicket door (optional)

## Constructive structure (Without guide rail)

fabric	system width (SB)	drop length (AL)	t (mm)	h (mm)
Protex 600.1 A2 / 1100.1 A2	≥ 0,8 m - ≤ 1,6	≤ 3,5 m	190	250
Protex 600.1 A2 / 1100.1 A2	> 1,6 m - ≤ 50 m	≤ 3,5 m	190	200
Protex 600.1 A2 / 1100.1 A2	≥ 1,2 m ≤ 50 m	> 3,5 m - ≤ 6 m	190	250
Protex 1100.1 A2	≥ 2,0 m - ≤ 50 m	> 6 m - ≤ 9 m	235	290



1 = Smoke detector  
6 = Closing element  
10 = Manual release

2 = Casing  
7 = Tubular motor

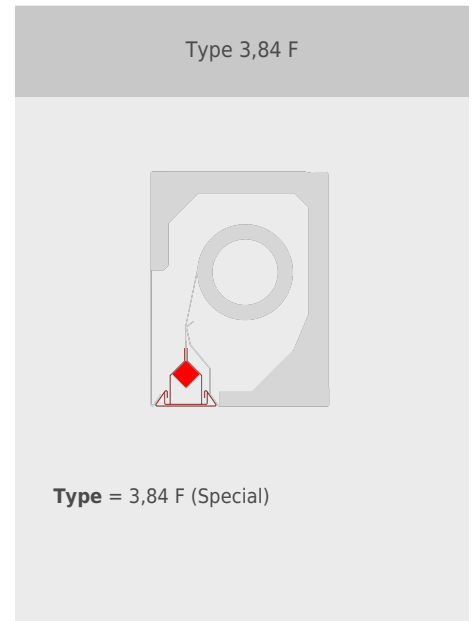
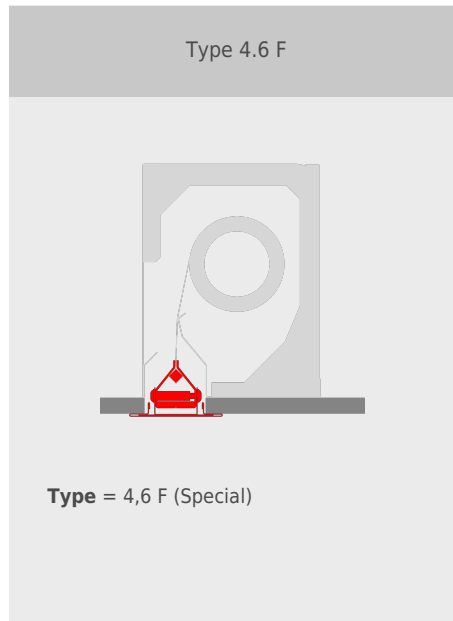
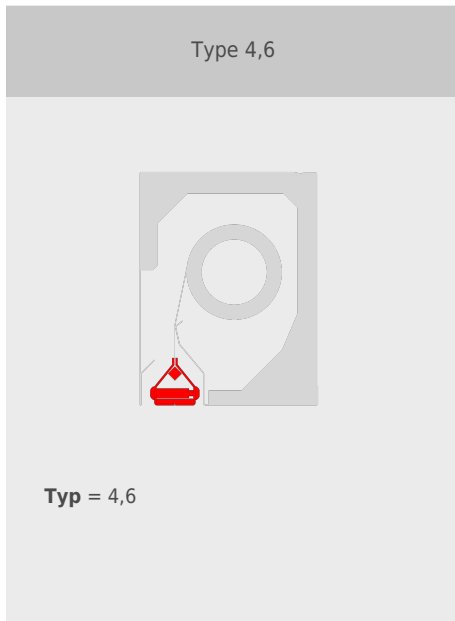
4 = Fixing bracket  
8 = Control module

5 = Fabric  
9 = Control with operating unit

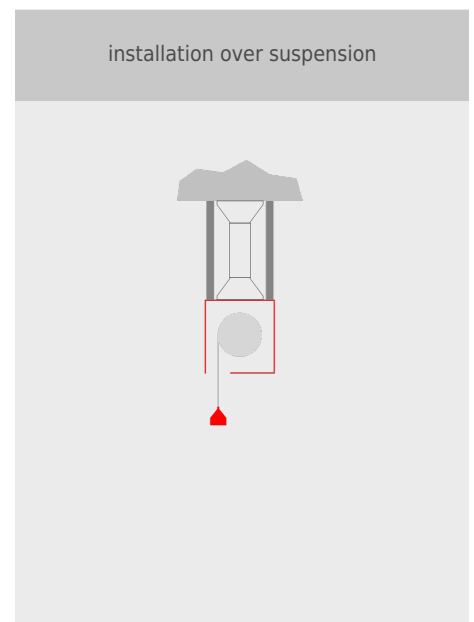
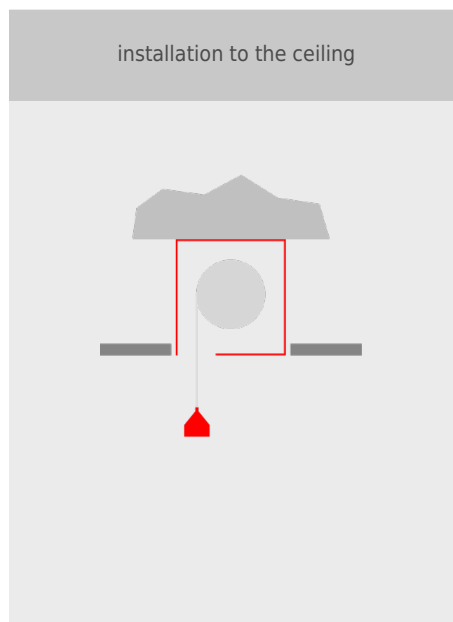
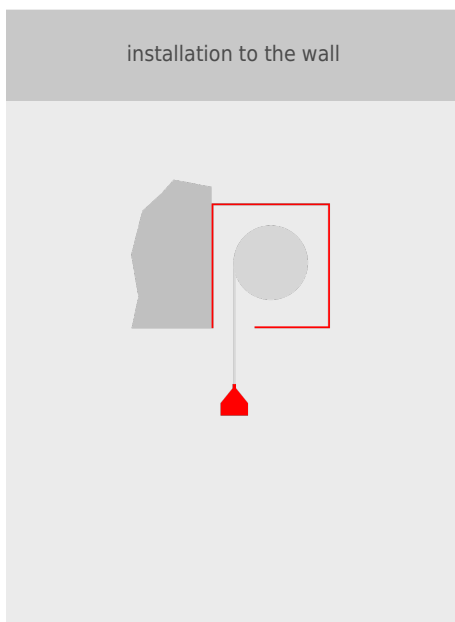
## bottom bar

Standard

Special

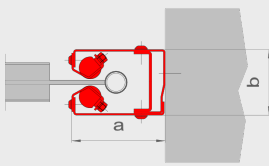


## alternatives for installation



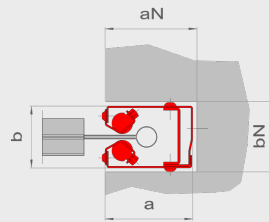
## side guides

Type 105 E (embrasure)



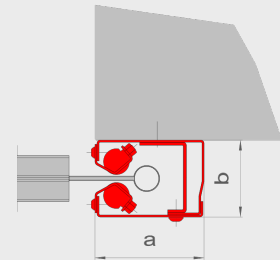
$a = 4.13''$   
 $a = 105 \text{ mm}$   
 $b = 2.91''$   
 $b = 74 \text{ mm}$   
 $AL = \leq 236,22'$   
 $A = \leq 538.19 \text{ sq ft}$

Type 105 E (niche)



$a = 4.13''$   
 $a = 105 \text{ mm}$   
 $b = 2.91''$   
 $b = 74 \text{ mm}$   
 $aN = 1.35''$   
 $aN = 34 \text{ mm}$   
 $bN = 1.91''$   
 $bN = 49 \text{ mm}$   
 $AL = \leq 236,22'$   
 $A = \leq 538.19 \text{ sq ft}$

Type 105 E (wall)



$a = 105 \text{ mm}$   
 $b = 74 \text{ mm}$   
 $AL = \leq 6 \text{ m}$   
 $A = \leq 50 \text{ m}^2$